



25W (1/30 HP)

TERMINAL BOX TYPE REVERSIBLE MOTORS Frame size 90mm sq. (3.54 in.sq.)

Single-Phase

BOX TYPE

SPECIFICATIONS

30MIN. DUTY, INSULATION CLASS A or E, 4POLES

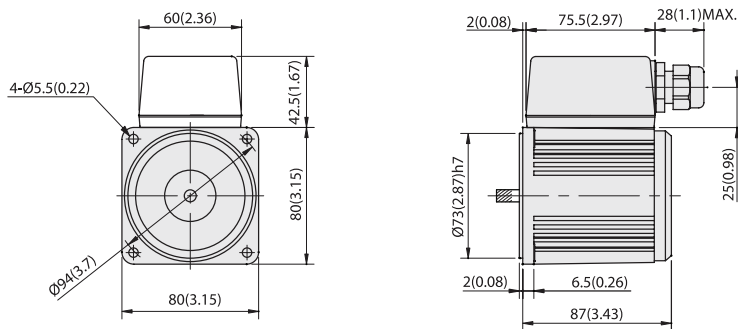
Model	Output		Voltage (V)	Frequency (Hz)	Rated						Starting Torque			Capacitor (μ F)
	(HP)	(W)			Input (W)	Current (A)	Torque			Speed (rpm)	(kg-cm)	(N-m)	(oz-in)	
							(kg-cm)	(N-m)	(oz-in)					
L8R25□C LTB	1/30	25	1 \varnothing 100	50	65	0.60	1.95	0.191	27.08	1250	1.6	0.157	22.22	10
				60	65	0.67	1.6	0.157	22.22	1550	1.6	0.157	22.22	
L8R25□D LTB	1/30	25	1 \varnothing 200	50	65	0.28	1.95	0.191	27.08	1250	1.6	0.157	22.22	2.5
				60	65	0.33	1.6	0.157	22.22	1550	1.6	0.157	22.22	
L8R25□B LTB	1/30	25	1 \varnothing 220	60	80	0.37	1.6	0.157	22.22	1550	2.2	0.216	30.55	2.5
L8R25□E LTB	1/30	25	1 \varnothing 115	60	65	0.65	1.53	0.150	21.25	1600	1.6	0.157	22.22	
L8R25□X LTB	1/30	25	1 \varnothing 220~240	50	70	0.29	1.95	0.191	27.08	1250	2.1	0.206	29.16	2

- * Model in grey screen represents the motors with THERMALLY PROTECTED according to UL regulation.
- * Model in dark grey screen represents the motors with THERMALLY PROTECTED according to CE regulation.
- * In case of some models certificated for export, the special cord like CE or UL is added after the existing model no. ex) L9160□XH-CE, L9160□EH-UL.
- * Insulation class for motors which acquired certificates for export is B.

DIMENSIONS

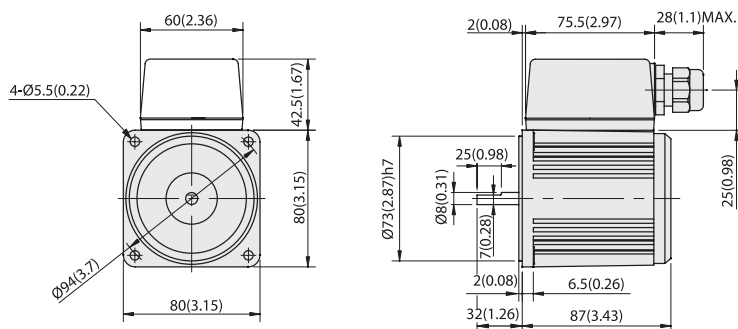
L8R25P□LTB

Unit : mm(inch)



WEIGHT 1.5kg (3.3 lb)

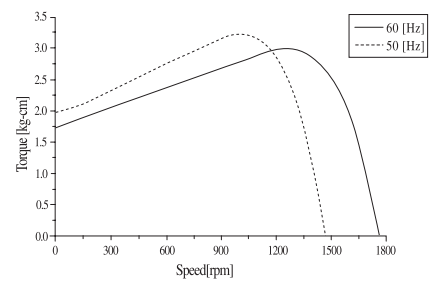
L8R25D□LTB



WEIGHT 1.5kg (3.3 lb)

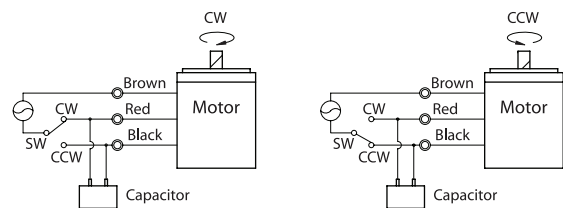
SPEED-TORQUE CURVE

Three phase L8R25□□LTB



CONNECTION DIAGRAMS

Standard or with T.P.



The direction of rotation is seen from the end of motor shaft.

